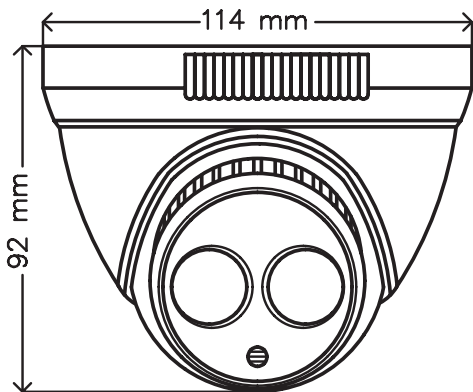
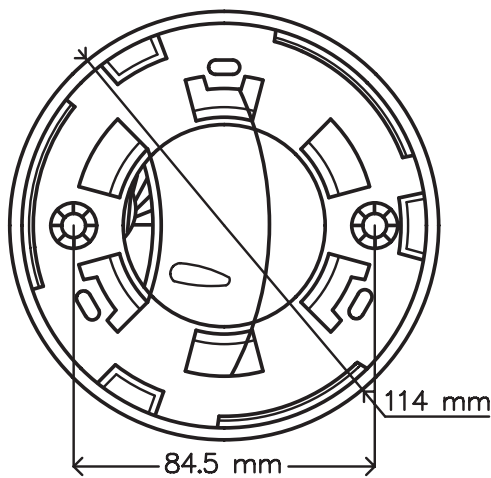




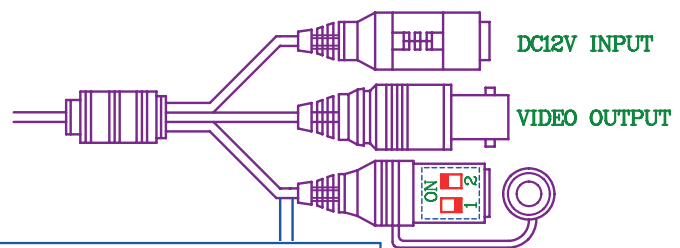
QVIS® | FIXED TURRET CAMERA

KEY FEATURES

- 2MP 1080P High Resolution Images
- 3.6mm MP Lens
- AHD / TVI / CVI / CVBS Video Output
- 0-15 DNR
- DC12V
- IR LED 1pcs
- IP66 Protection



SPECIFICATION	Q-TUR-FW
CAMERA	
Image Sensor	1/2.7" 1080P Full HD Digital Image Sensor
Signal System	PAL / NTSC
Active Pixels	1928(H) × 1088(V)
Lens	3.6mm MP Lens
Angle of View	H:97°
Horizontal Resolution	1080P
S/N Ratio	>50 dB (AGC off)
Min Illumination	0 Lux (IR ON - IR-cut technology)
Menu	UTC Control
Language	ENG / CHN / ITA / SPA
Auto Electronic Shutter	PAL:1/50 - 1/100,000 sec NTSC:1/60 - 1/100,000 sec
DNR	0-15
D-WDR	ON / OFF
Auto Gain Control	Built-in
Video output	AHD / TVI / CVI / CVBS ** Factory Default is AHD
Power Supply	DC12V ±10%
Current Consumption	50 mA (IR OFF), 310 mA (IR ON)
IR Led	1pc
IR Distance in Effect	25-30M
IP Rating	IP66
Storage Temperature	-50°C ~ +90°C
Operating Temperature	-30°C ~ +70°C
Dimension	Φ114 x 92mm
Net Gross Weight	360g



Q-TUR-FW_FG
4-IN-1 HD CAMERA
SWITCH SETTINGS
(Factory default is AHD)

