

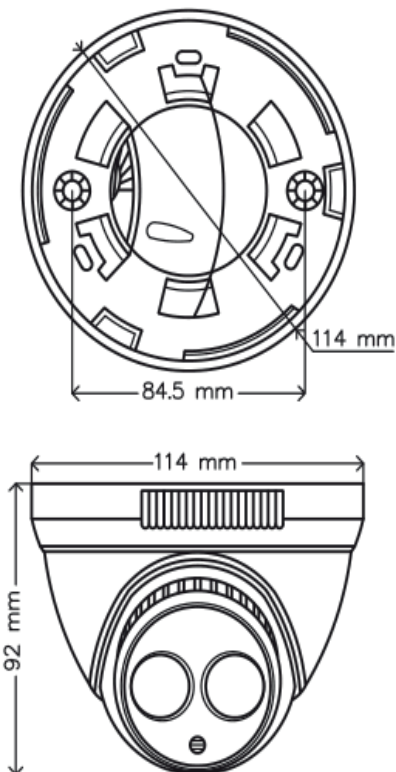


QVIS® | 8MP IR TURRET NETWORK CAMERA

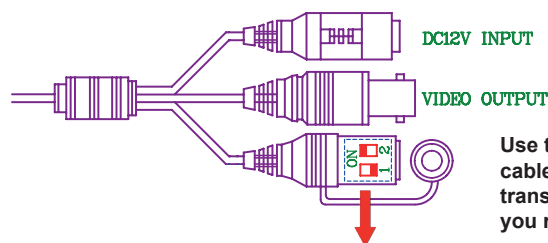
FEATURES:

- 1/2.8" Image Sensor
- Up to 8 Megapixel high resolution
- 3D Digital Noise Reduction
- DC12V
- Support H.265+, H.265
- IP66

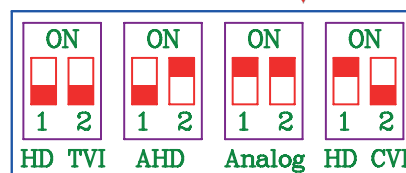
DIAGRAM:



SPECIFICATION	Q4K-TUR-FW
CAMERA	
Image Sensor	1/1.8" 4K low light and low-power image sensor
Signal System	PAL / NTSC
Active Pixels	3840(H) x 2160(V)
Lens	2.8mm 4K lens
Angle of View	H: 108°
Horizontal Resolution	4K (8MP)
Backlight	BLC / Off
Sharpness	Low / Middle / High
Min Illumination	0 Lux (IR ON - IR-cut technology)
Menu	UTC Control (the video output mode, can ONLY be selected by the dip switch cable)
Language	ENG / CHN / GER / FRA / ITA / SPA / POL / RUS / POR / NED / TUR / JPN
Shutter	FLK / Auto
Day / Night	Ext / Auto / Colour / B&W
White Balance	ATW / ATW->SET
3DNR	Low / Middle / High
Mirror	Mirror / V-Flip / Rotate / Off
Brightness	0-100 (LSC: On / Off)
Video output	TVI / AHD / CVI / CVBS ** Factory Default is TVI
Power Supply	DC12V ±10%
Current Consumption	140 mA (IR OFF), 380 mA (IR ON)
IR Led	1 pcs
IR Distance in Effect	25 - 30M
IP Rating	IP66
Storage Temperature	-50°C ~ +90°C
Operating Temperature	-30°C ~ +70°C
Dimension	Φ114 x 92mm
Weight	380g



Use the dip switch cable to set the video transmission format you require



** Factory Default is TVI